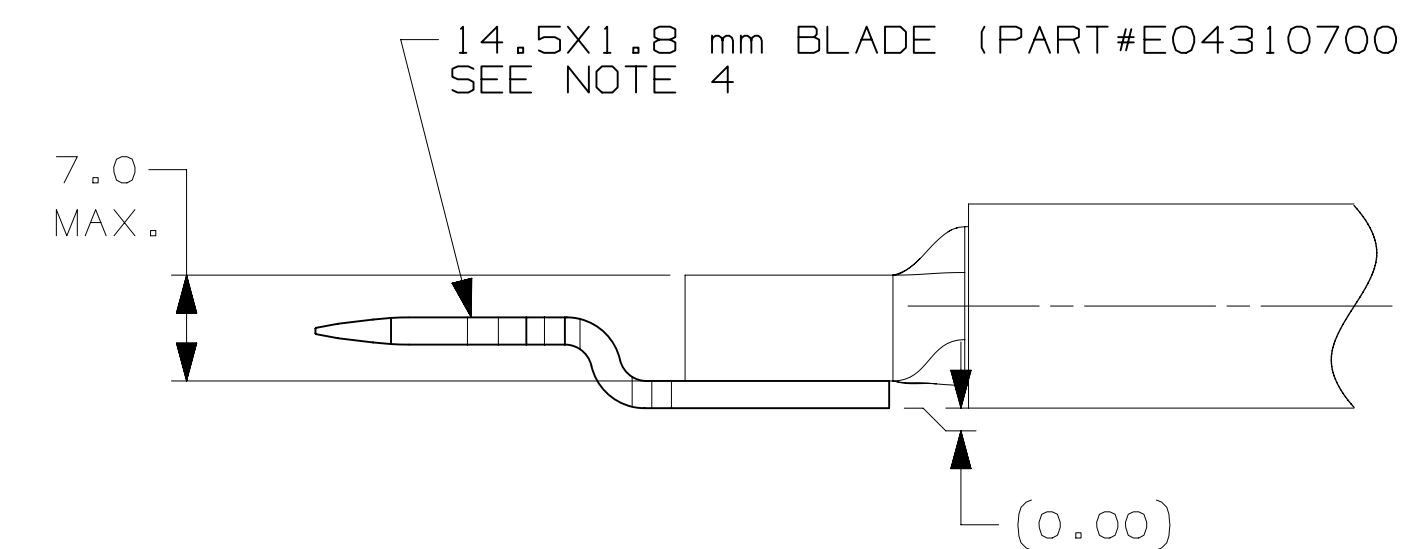
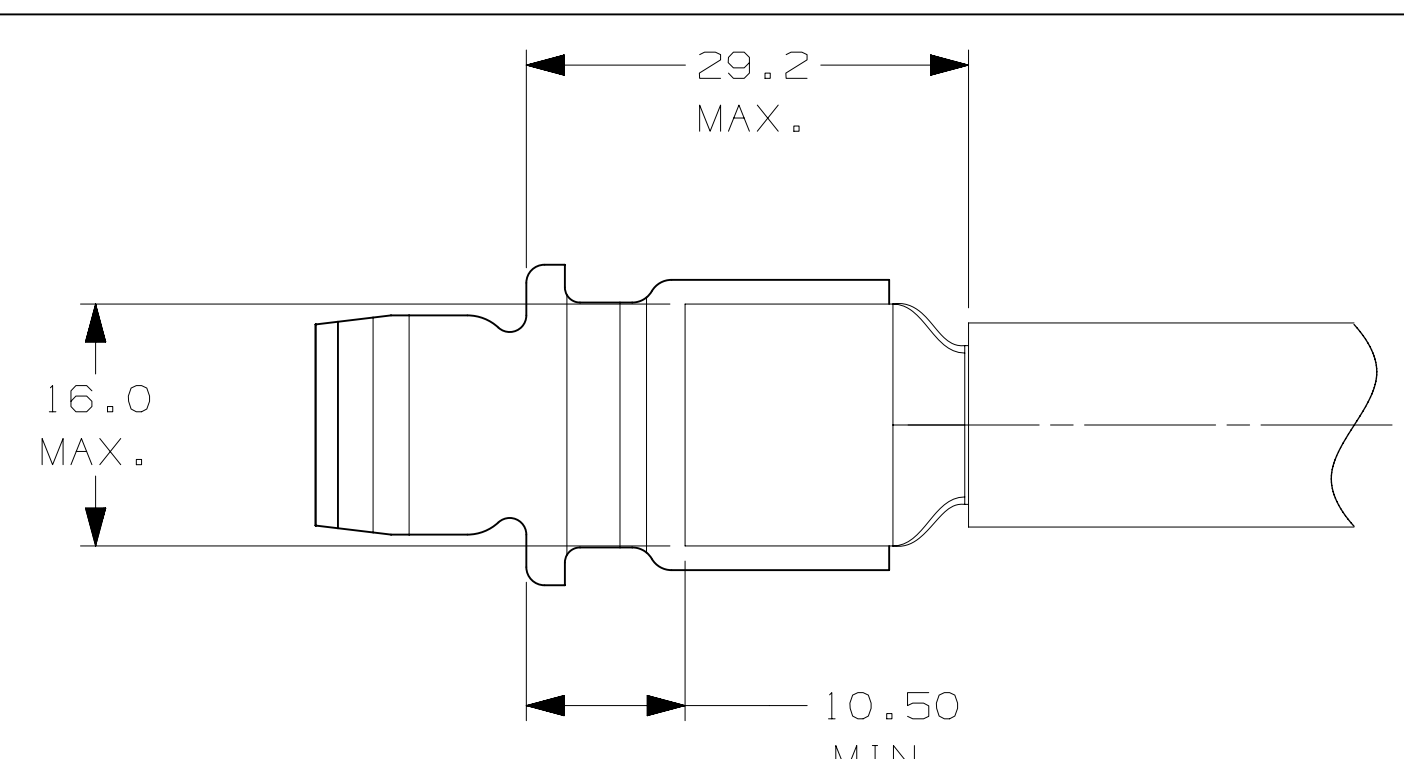
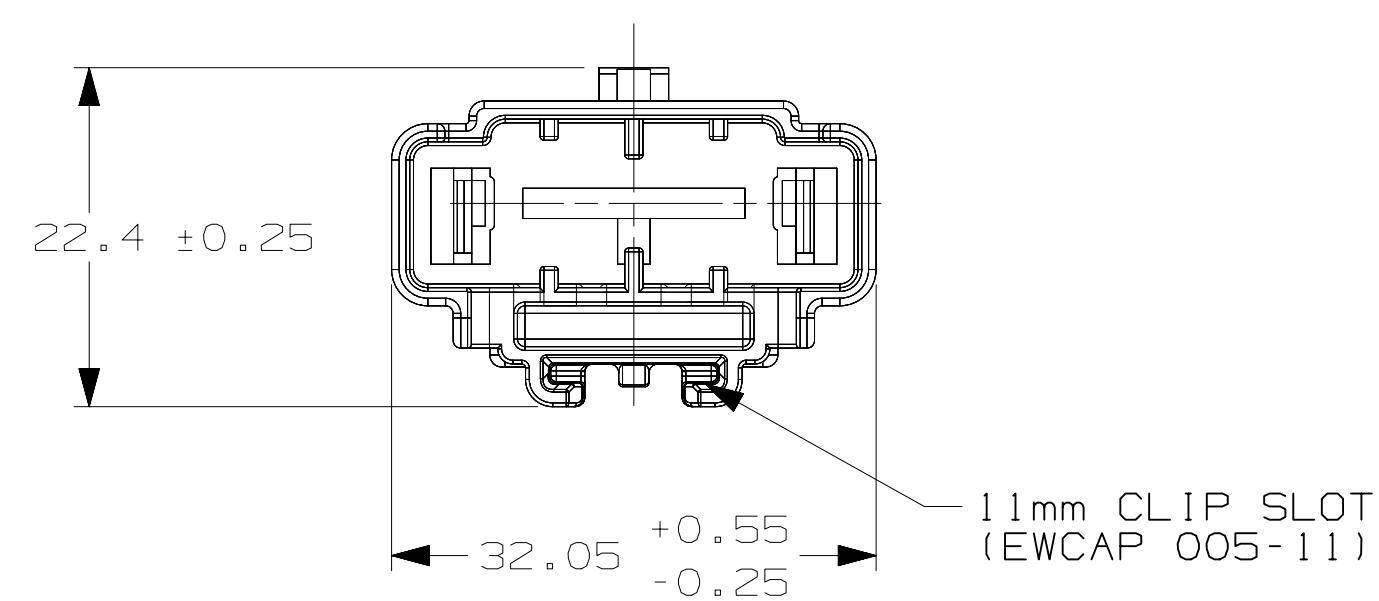


CONNECTOR SECTION VIEW SHOWN WITH TERMINAL AND CABLE



CABLE WELD POSITION

1. CONNECTOR DESIGNED TO MEET APPLICABLE USCAR 2 PERFORMANCE SPECIFICATIONS. TEMPERATURE CLASS: T2 (-40°C TO +100°C) SEALING CLASS: S1 (UNSEALED) VIBRATION CLASS: V1
2. CONNECTOR DESIGNED TO ACCEPT MAX. 50 mm<sup>2</sup> (0.0: 13.5 mm) WIRE.
3. MATING FEMALE CONNECTORS DRAWING: E04315302.CG.
4. 14.5 X 1.8 mm BLADE TERMINAL DRAWING: E04310700.CG.

REV	ZONE	DESCRIPTION	CN NO	DATE	DESIGNER	CHECKER
AA	-	E04335600 SUPERSEDED BY E04335601	0113090	2020/01/07	B RANGI	A BUTCHER
AB	H1E1&D1	TPA DESIGN CHANGE ASSM PART # REVISED , ADDED DM (0.0), MATING CONNECTOR DRW PART # REVISED , DELETED KEY CODE C&D	015715	2020/10/22	B RANGI	A BUTCHER
AC	A1	WEIGHT CORRECTION	018638	2021/09/27	B RANGI	A BUTCHER

DESCRIPTION	PART #	KEY CODES	PART	MATERIAL	COLOR
HOUSING ASSM.	E20905701	B	TPA	PA66-GF15	BLUE
			HOUSING	PA66-GF35	LIGHT GRAY
	E04335602	A	TPA	PA66-GF15	BLUE
			HOUSING	PA66-GF35	BLACK

ANGLE PROJECTION 1A	MATERIAL: FINISH/SURFACE: COLOR:	SEE TABLE N/A SEE TABLE	WEIGHT CAD 130 g	VOLUME CAD 9.6 cm <sup>3</sup>
NOT USED	SCALE: 2:1	 <b>E-SYSTEMS</b> <small>Power and Data Management</small> 21557 TELEGRAPH ROAD SOUTHFIELD, MI 48033		
START DATE 2020/01/07	DRAWN B RANGI			
APPROVERS ENGR. B RANGI CHECKER A BUTCHER APPROVER B RANGI	TITLE  LEAR WRG CONN,MALE,UNSLD,1 WAY			
CAD DIRECTORY / LOCATION: SEM	DRAWING FILE NAME: E04335602.DRW_2.prt MODEL FILE NAME: E04335602.prt			
LAST UPDATE 2021/09/27	SEM DOCUMENT ID / DRAWING NUMBER E04335602	REV AC	SHEET OF 1 1	TYPE CG
LAST USED -	CONFIDENTIAL - THIS DRAWING AND ALL INFORMATION DISCLOSED HEREIN ARE OWNED BY LEAR CORPORATION AND ARE NOT TO BE DISTRIBUTED OR DISSEMINATED IN ANY MANNER UNLESS EXPRESSLY AUTHORIZED IN WRITING BY LEAR CORPORATION			

IN: XX D ANS