

LEARN/SEM P/N	T&C P/N	FIG NO.	ØA HOLE SIZE	GRIP CODE	WIRE BUNDLE SIZE		C	D	E	F	G	MATERIAL THICKNESS	MATERIAL	PLATING	
					mm <sup>2</sup>	AWG									
E09841400	110221-AAC02	1	5.5	4	21.5	13.5	4-6	13.60	13.7	4.1	28.4	37.3	1.83	CuZn	Pre-Sn
E09841600	110221-EB01													CuZn	-
E09841500	110221-EB02													CuZn	Pre-Sn
E09842200	110221-EB17													CuZn	Post-Sn
E09839300	110228-AAC02													CuZn	Pre-Sn
E09017300	110228-EB01													CuZn	-
E09839400	110228-EB02													CuZn	Pre-Sn
E09843700	110228-EB17		CuZn											Post-Sn	
E09839500	110234-AAC02		CuZn											Pre-Sn	
E09839800	110235-AAC02		CuZn											Pre-Sn	
E09843000	110234-EB01		CuZn											-	
E09017100	110235-EB01		CuZn											-	
E09839600	110234-EB02		CuZn											Pre-Sn	
E09839900	110235-EB02		CuZn											Pre-Sn	
E09843100	110234-EB17		CuZn											Post-Sn	
E09843600	110235-EB17		CuZn											Post-Sn	
E09840000	110236-AAC02		CuZn											Pre-Sn	
E09843200	110236-EB01		CuZn											-	
E09840100	110236-EB02		CuZn											Pre-Sn	
E09843300	110236-EB17		CuZn											Post-Sn	
E09841000	110238-AAC02		CuZn											Pre-Sn	
E09841800	110238-EB01		CuZn											-	
E09841100	110238-EB02		CuZn											Pre-Sn	
E09842000	110238-EB17		CuZn											Post-Sn	
E09841200	110239-AAC02		CuZn											Pre-Sn	
E09841700	110239-EB01		CuZn											-	
E09841300	110239-EB02		CuZn											Pre-Sn	
E09842300	110239-EB17		CuZn											Post-Sn	
E09840200	110240-AAC02		CuZn											Pre-Sn	
E09017200	110240-EB01		CuZn											-	
E09840300	110240-EB02		CuZn											Pre-Sn	
E09843500	110240-EB17		CuZn											Post-Sn	
E09840400	110247-AAC02		CuZn											Pre-Sn	
E09842800	110247-EB01		CuZn											-	
E09840500	110247-EB02		CuZn											Pre-Sn	
E09842900	110247-EB17	CuZn	Post-Sn												
E09840600	110253-AAC02	CuZn	Pre-Sn												
E09017400	110253-EB01	CuZn	-												
E09840700	110253-EB02	CuZn	Pre-Sn												
E09842700	110253-EB17	CuZn	Post-Sn												
E09840800	110254-AAC02	CuZn	Pre-Sn												
E09842400	110254-EB01	CuZn	-												
E09840900	110254-EB02	CuZn	Pre-Sn												
E09842500	110254-EB17	CuZn	Post-Sn												
E09845600	110321-EB01	CuZn	-												
E09847900	110321-EB02	CuZn	Pre-Sn												
E09848700	110321-EB17	CuZn	Post-Sn												
E09843900	110328-EB01	CuZn	-												
E09844000	110328-EB02	CuZn	Pre-Sn												
E09844100	110328-EB17	CuZn	Post-Sn												
E09844200	110334-EB01	CuZn	-												
E09844700	110335-EB01	CuZn	-												
E09844300	110334-EB02	CuZn	Pre-Sn												
E09844600	110335-EB02	CuZn	Pre-Sn												
E09844400	110334-EB17	CuZn	Post-Sn												
E09844500	110335-EB17	CuZn	Post-Sn												
E09845000	110336-EB01	CuZn	-												
E09845700	110336-EB02	CuZn	Pre-Sn												
E09848000	110336-EB17	CuZn	Post-Sn												
E09845400	110338-EB01	CuZn	-												
E09846300	110338-EB02	CuZn	Pre-Sn												
E09848500	110338-EB17	CuZn	Post-Sn												
E09845500	110339-EB01	CuZn	-												
E09846400	110339-EB02	CuZn	Pre-Sn												
E09848600	110339-EB17	CuZn	Post-Sn												
E09015800	110340-EB01	CuZn	-												
E09845800	110340-EB02	CuZn	Pre-Sn												
E09848100	110340-EB17	CuZn	Post-Sn												
E09845100	110347-EB01	CuZn	-												
E09846000	110347-EB02	CuZn	Pre-Sn												
E09848200	110347-EB17	CuZn	Post-Sn												
E09845200	110353-EB01	CuZn	-												
E09846100	110353-EB02	CuZn	Pre-Sn												
E09848300	110353-EB17	CuZn	Post-Sn												
E09845300	110354-EB01	CuZn	-												
E09846200	110354-EB02	CuZn	Pre-Sn												
E09848400	110354-EB17	CuZn	Post-Sn												

LEARN/SEM P/N	T&C P/N	FIG NO.	ØA HOLE SIZE	GRIP CODE	WIRE BUNDLE SIZE		C	D	E	F	G	MATERIAL THICKNESS	MATERIAL	PLATING	
					mm <sup>2</sup>	AWG									
E09849800	110621-EB01	1	5.5	8	8.5	5.5	8-10	9.80	9.4	2.8	28.9	37.6	1.45	CuZn	-
E09848800	110621-EB02													CuZn	Pre-Sn
E09850600	110621-EB17													CuZn	Post-Sn
E09016700	110628-EB01													CuZn	-
E09016600	110628-EB02													CuZn	Pre-Sn
E09851600	110628-EB17													CuZn	Post-Sn
E09016900	110635-EB01													CuZn	-
E09849600	110635-EB02		CuZn											Pre-Sn	
E09851400	110635-EB17		CuZn											Post-Sn	
E09850400	110636-EB01		CuZn											-	
E09849500	110636-EB02		CuZn											Pre-Sn	
E09851300	110636-EB17		CuZn											Post-Sn	
E09850000	110638-EB01		CuZn											-	
E09849000	110638-EB02		CuZn											Pre-Sn	
E09850800	110638-EB17		CuZn											Post-Sn	
E09849900	110639-EB01		CuZn											-	
E09848900	110639-EB02		CuZn											Pre-Sn	
E09850700	110639-EB17		CuZn											Post-Sn	
E09017000	110640-EB01		CuZn											-	
E09849400	110640-EB02		CuZn											Pre-Sn	
E09851200	110640-EB17		CuZn											Post-Sn	
E09850300	110647-EB01		CuZn											-	
E09849300	110647-EB02		CuZn											Pre-Sn	
E09851100	110647-EB17		CuZn											Post-Sn	
E09850200	110653-EB01		CuZn											-	
E09849200	110653-EB02		CuZn											Pre-Sn	
E09851000	110653-EB17		CuZn											Post-Sn	
E09850100	110654-EB01		CuZn											-	
E09849100	110654-EB02		CuZn											Pre-Sn	
E09850900	110654-EB17		CuZn											Post-Sn	
E09854600	110721-EB01		CuZn											-	
E09853500	110721-EB02		CuZn											Pre-Sn	
E09851700	110721-EB17		CuZn											Post-Sn	
E09855800	110728-EB01		CuZn											-	
E09854500	110728-EB02		CuZn											Pre-Sn	
E09853400	110728-EB17	CuZn	Post-Sn												
E09855600	110734-EB01	CuZn	-												
E09855500	110735-EB01	CuZn	-												
E09854400	110734-EB02	CuZn	Pre-Sn												
E09854300	110735-EB02	CuZn	Pre-Sn												
E09853300	110734-EB17	CuZn	Post-Sn												
E09852800	110735-EB17	CuZn	Post-Sn												
E09855400	110736-EB01	CuZn	-												
E09854200	110736-EB02	CuZn	Pre-Sn												
E09852700	110736-EB17	CuZn	Post-Sn												
E09854800	110738-EB01	CuZn	-												
E09853700	110738-EB02	CuZn	Pre-Sn												
E09851900	110738-EB17	CuZn	Post-Sn												
E09854700	110739-EB01	CuZn	-												
E09853600	110739-EB02	CuZn	Pre-Sn												
E09851800	110739-EB17	CuZn	Post-Sn												
E09855300	110740-EB01	CuZn	-												
E09854100	110740-EB02	CuZn	Pre-Sn												
E09852300	110740-EB17	CuZn	Post-Sn												
E09855200	110747-EB01	CuZn	-												
E09854000	110747-EB02	CuZn	Pre-Sn												
E09852200	110747-EB17	CuZn	Post-Sn												
E09855100	110753-EB01	CuZn	-												
E09853900	110753-EB02	CuZn	Pre-Sn												
E09852100	110753-EB17	CuZn	Post-Sn												
E09855000	110754-EB01	CuZn	-												
E09853800	110754-EB02	CuZn	Pre-Sn												
E09852000	110754-EB17	CuZn	Post-Sn												

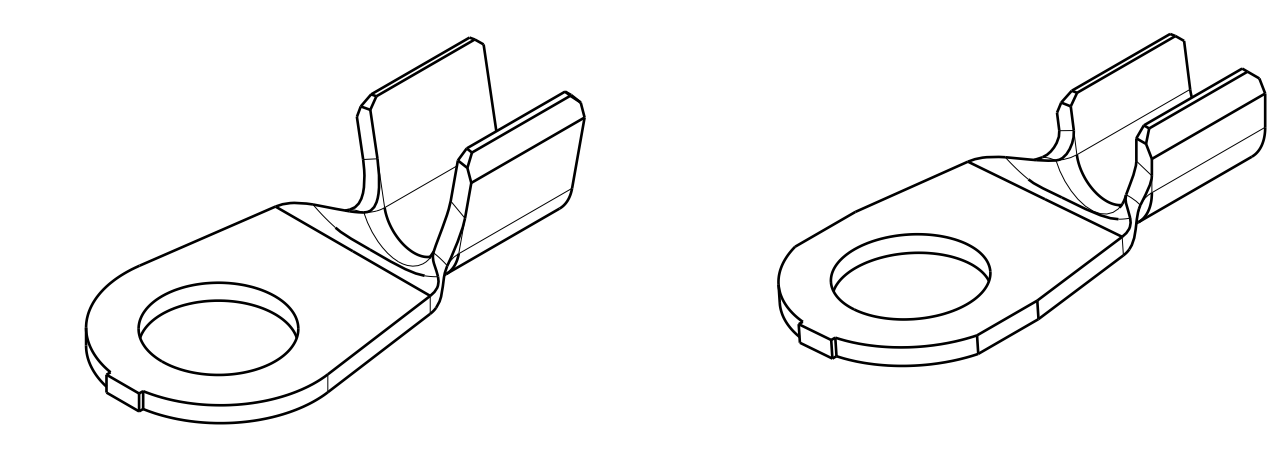


FIG. 1      FIG. 2

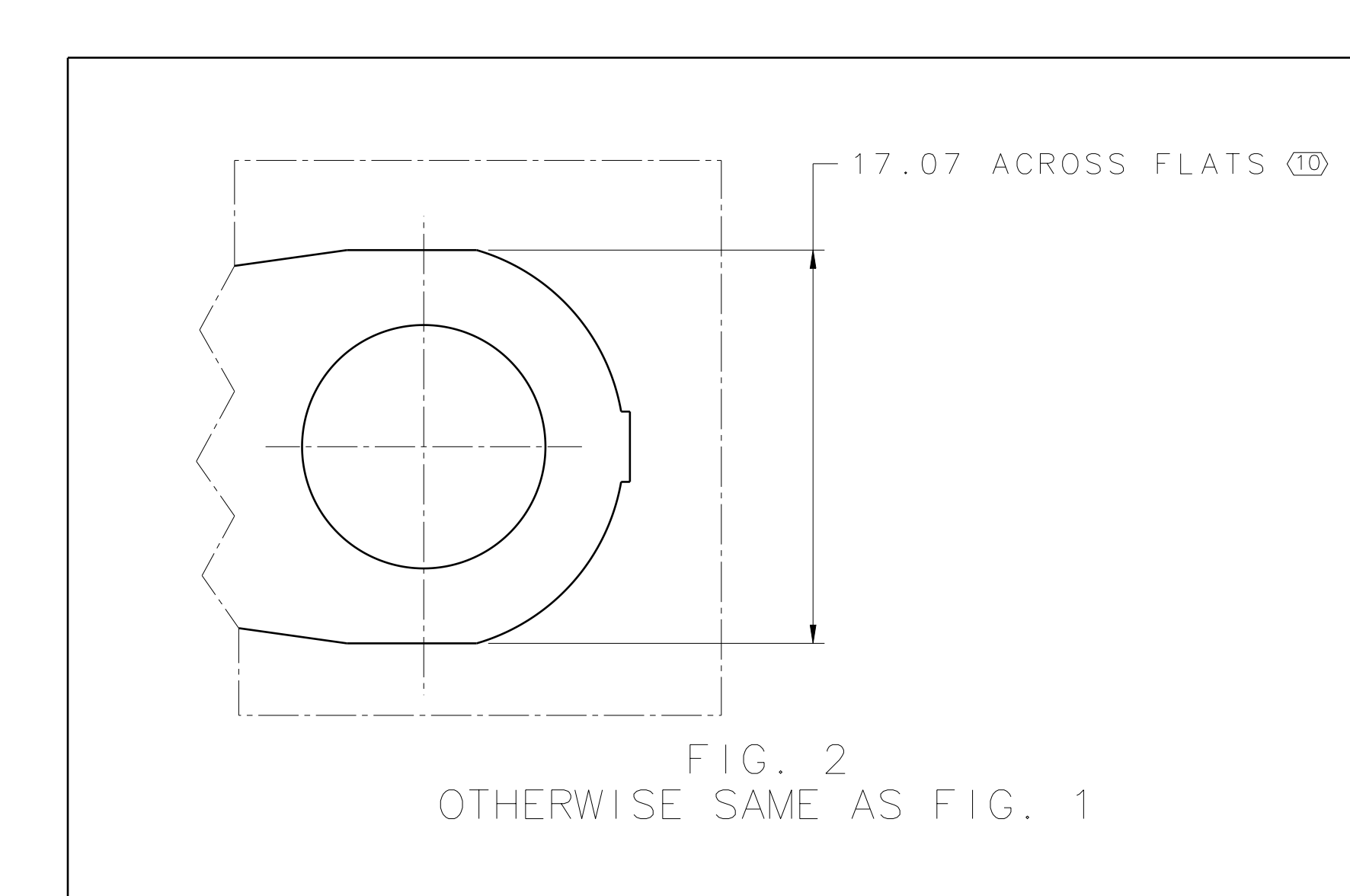
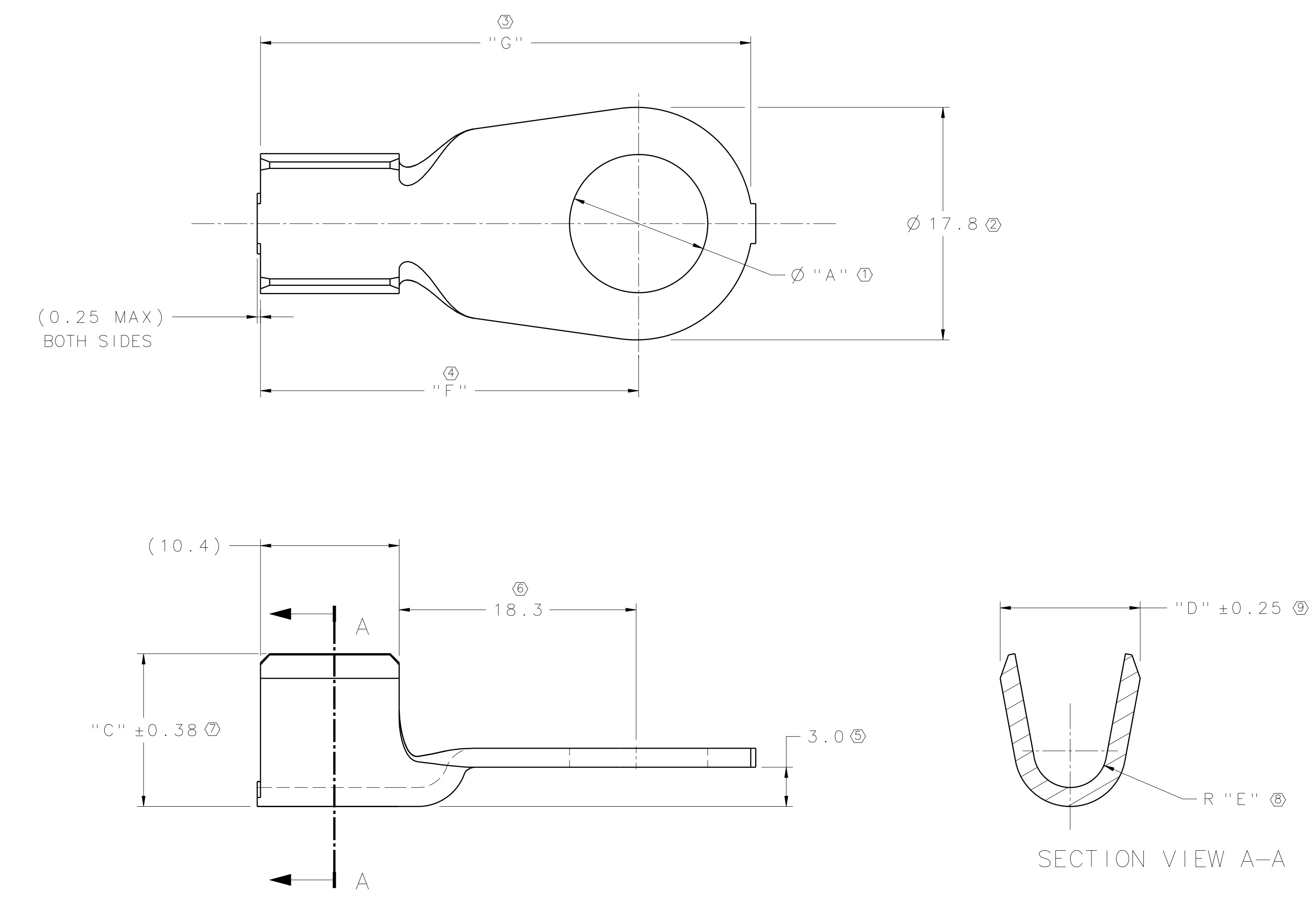
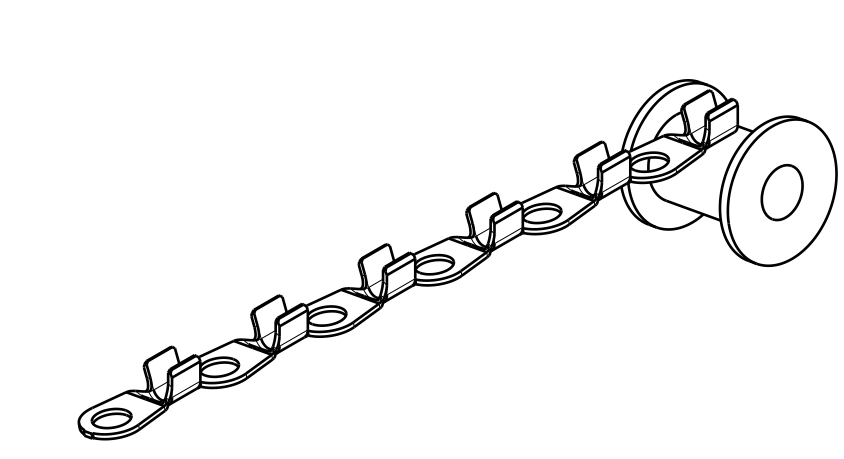


FIG. 2  
OTHERWISE SAME AS FIG. 1



UNWIND DIRECTION

- NOTES:
- GENERAL TOLERANCE:
    - 1.1 ONE PLACE : ± 0.25
    - 1.2 TWO PLACE : ± 0.13
    - 1.3 ANGULAR PLACE : ± 3°
  - 0.25 MAX. CUT OFF
  - MATERIAL THICKNESS:
    - FOR GRIP CODE 4: 1.83
    - FOR GRIP CODE 6,7 & 8: 1.45

REV.	ZONE	DESCRIPTION	CS/REL NO.	DATE	DESIGNER	CHECKER
AA	-	INITIAL RELEASE	XX.XXX	2017/12/18	MP	TSR

ANGL PROJECTION	MATERIAL FINISH/SURFACE COLOR	SEE TABLE SEE TABLE	WEIGHT CAD	VOLUME CAD
		N/A	N/A	N/A

SCALE: 4:1		ELECTRICAL 21557 TELEGRAPH ROAD SOUTHFIELD, MI 48033
START DATE: 2017/07/21		

DRAWN: M PANGATUNGAN	TITLE: MISC / CROSS CARLINE TERMINAL, EYELET
APPROVERS: ENGR. FABRISIA CHECKER: S. RAVINDRA APPROVER: A. BUTCHER	

CAD DIRECTORY / LOCATION:	DRAWING FILE NAME: E0901680-AA_0000.CATDrawing
LAST UPDATE: 2017/12/18	SEM DOCUMENT ID / DRAWING NUMBER: D00442660/110340-EB01
REV: AA	SHEET: 1 OF 1
TYPE: CG	

NOT USED      LAST USED

CONFIDENTIAL - THIS DRAWING AND ALL INFORMATION DISCLOSED HEREIN ARE OWNED BY LEAR CORPORATION AND ARE NOT TO BE DISTRIBUTED OR DISSEMINATED IN ANY MANNER UNLESS EXPRESSLY AUTHORIZED IN WRITING BY LEAR CORPORATION

10      1