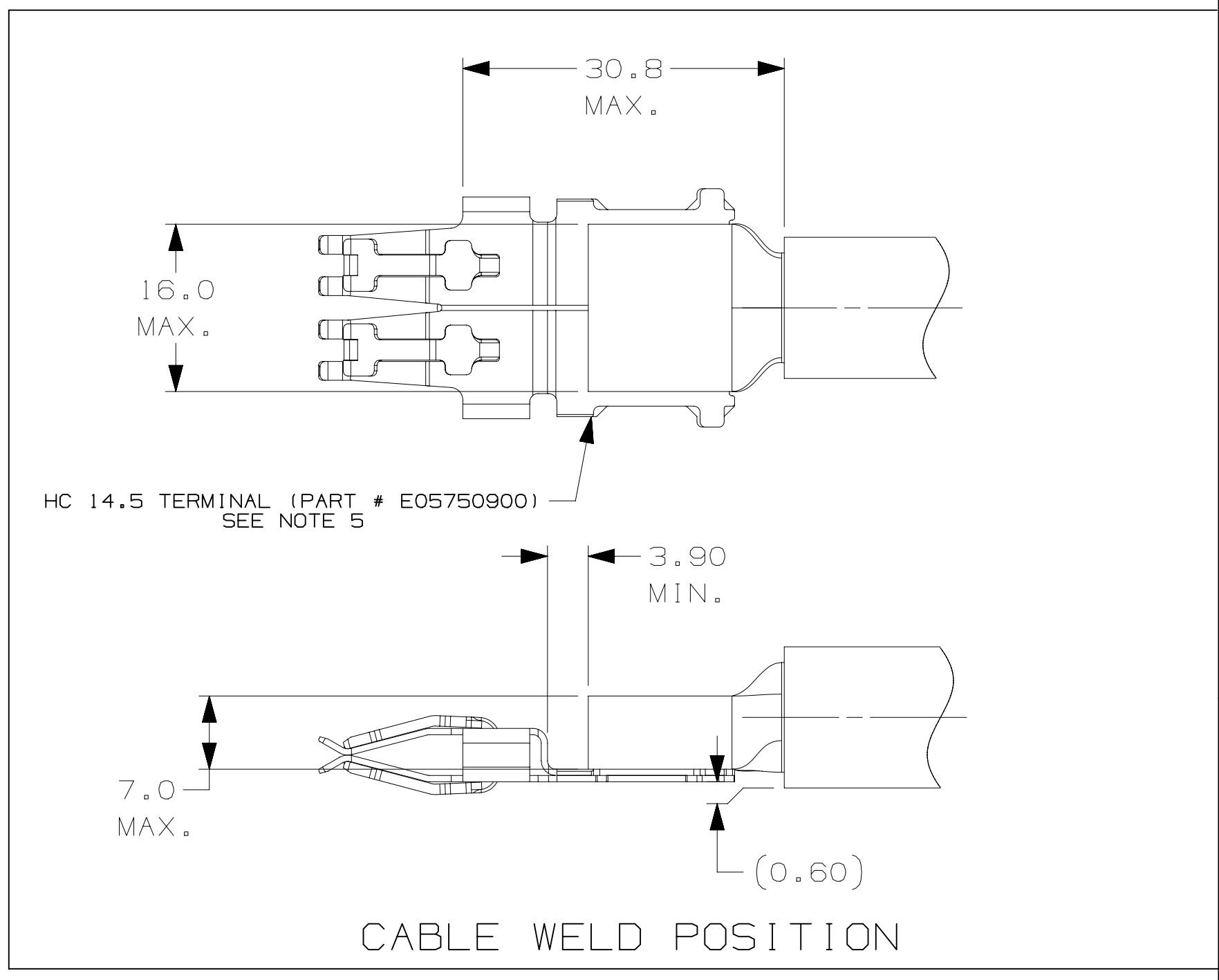


CONNECTOR SECTION VIEW SHOWN WITH TERMINAL AND CABLE



- CONNECTOR DESIGNED TO MEET APPLICABLE USCAR 2 PERFORMANCE SPECIFICATIONS. TEMPERATURE CLASS: T2 (-40°C TO +100°C) SEALING CLASS: S1 (UNSEALED) VIBRATION CLASS: V1
- CONNECTOR DESIGNED TO ACCEPT MAX. 50 mm² (0.D: 13.5 mm) WIRE.
- MATING MALE CONNECTORS DRAWING: E04335602.CG.
- MATING HEADERS INTERFACE DRAWING: E17273001.I.
- HC 14.5 TERMINAL DRAWING: 2B202011F.CG.

REV	ZONE	DESCRIPTION	CN NO	DATE	DESIGNER	CHECKER
AA	-	E04315300 SUPERSEDED BY E04315301	0113090	2020/01/07	B RANGI	A BUTCHER
AB	H4,C18E1	HSG & TPA DESIGN CHANGE ASSM PART # REVISED . ADDED DIM 2.0(14&10.6), MATING CONNECTOR AND HEADER INTERFACE DRW PART # REVISED	0115715	2020/10/21	B RANGI	A BUTCHER
AC	A1	WEIGHT CORRECTION	0118638	2021/09/27	B RANGI	A BUTCHER

DESCRIPTION	PART #	KEY CODES	PART	MATERIAL	COLOR
HOUSING ASSM	E20890401	D	CPA	PBT-GF10	RED
			TPA	PA66-GF15	GREEN
			HOUSING	PA66-GF35	BLACK
	E20890201	C	CPA	PBT-GF10	RED
			TPA	PA66-GF15	GREEN
			HOUSING	PA66-GF35	DARK GRAY
	E20890001	B	CPA	PBT-GF10	RED
			TPA	PA66-GF15	GREEN
			HOUSING	PA66-GF35	LIGHT GRAY
	E04315302	A	CPA	PBT-GF10	RED
			TPA	PA66-GF15	GREEN
			HOUSING	PA66-GF35	BLACK

ANGLE PROJECTION	MATERIAL: SEE TABLE	WEIGHT CAD	VOLUME CAD
NA	FINISH/SURFACE: N/A	12.5 g	9.5 cm ³
	COLOR: SEE TABLE		
NOT USED	SCALE: 2:1	 LEAR CORPORATION <small>Power and Data Management</small> 21557 TELEGRAPH ROAD SOUTHFIELD, MI 48033	
	START DATE: 2020/01/07		
	DRAWN: B RANGI	TITLE: LEAR WRG CONN,FEMA,UNSLD,1 WAY	
	APPROVERS: ENGR: B RANGI, CHECKER: A BUTCHER, APPROVER: B RANGI	DRAWING FILE NAME: E04315302_DRW_2.prt	
	CAD DIRECTORY / LOCATION: SEM	MODEL FILE NAME: E04315302.prt	
	LAST UPDATE: 2021/09/27	SEM DOCUMENT ID / DRAWING NUMBER: E04315302	REV: AC, SHEET OF: 1 1, TYPE: CG
LAST USED	CONFIDENTIAL - THIS DRAWING AND ALL INFORMATION DISCLOSED HEREIN ARE OWNED BY LEAR CORPORATION AND ARE NOT TO BE DISTRIBUTED OR DISSEMINATED IN ANY MANNER UNLESS EXPRESSLY AUTHORIZED IN WRITING BY LEAR CORPORATION		